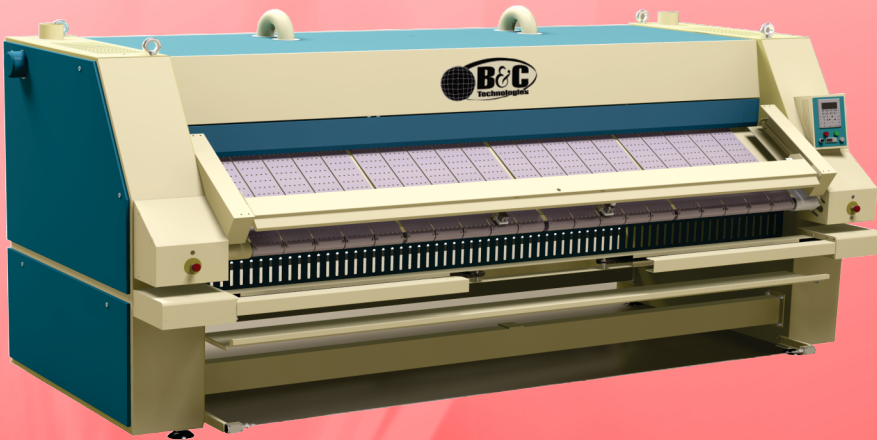


IQ SERIES

Roll Ironer

24, 32, or 40 inch diameter
130 inch width



The **IQ Series** of ironers provides unmatched results for processing linens and other flat goods. High efficiency, fewer parts, and low maintenance lead to increased savings over the life of the machine. The energy efficient drive system allows for incredibly flexible operation, precise speed control, and protection for the motor. The soft start technology greatly reduces stress on critical components, contributing to a longer life for the machine. Standard primary fold, optional automatic feeder, and vacuum table increase flexibility.

Features at a Glance:

- ◆ Standard primary folder
- ◆ Optional feeder
- ◆ Easy to use controls
- ◆ Nomex padding and belts
- ◆ Built in exhaust
- ◆ Heavy duty frame
- ◆ Fully enclosed for heat retention
- ◆ Goods return to the operator or rear return (optional)
- ◆ Many safety features:
 - Circuit protection
 - Interlocked panels
 - Emergency stops
 - Finger safety



Specifications

Model	Metric	US	IQ-24130		IQ-32130		IQ-40130	
Number of Rolls		#	1		1		1	
Roll Diameter	mm	inch	600	24	800	32	1000	40
Working Width	mm	inch	3300	130	3300	130	3300	130
Speed Range	m/min	ft/min	3.75-22	12-75	4.5-30	15-98	5-40	16-131
Dimensions								
A - Width	mm	inch	4374	172.2	4486	176.6	4598	181.0
B - Depth	mm	inch	1500	59.1	1827	71.9	2154	84.8
C - Height	mm	inch	1800	70.9	1977	77.8	2154	84.8
Exhaust System								
Air Flow, Primary	cmm	cfm	2 x 17	2 x 600	2 x 17	2 x 600	2 x 17	2 x 600
Exhaust Duct	mm	inch	2 x 120	2 x 4.75	2 x 120	2 x 4.75	2 x 120	2 x 4.75
Steam								
Consumption		BHP	9.3		11.9		11.9	
Pressure	bar	psi	6.3-8.8	90-125	6.3-8.8	90-125	6.3-8.8	90-125
Inlet Size	mm	inch	25.4	1	31.8	1-1/4	31.8	1-1/2
Outlet Size	mm	inch	12.7	0.5	12.7	0.5	12.7	0.75
Gas								
Heat Input		BTU	307,500		477,650		647,800	
Gas Inlet Size	mm	inch	25.4	1	25.4	1	25.4	1
Electrical Service								
208-240VAC, 50/60Hz, 3PH	Amps	Breaker	12	15	16	20	20	25
380-480VAC, 50/60Hz, 3PH	Amps	Breaker	6	15	8	15	10	15
Weight & Shipping								
Net Weight	kg	lbs	2850	6270	3350	7370	3850	8470
Shipping Weight	kg	lbs	2900	6380	3400	7480	3900	8580

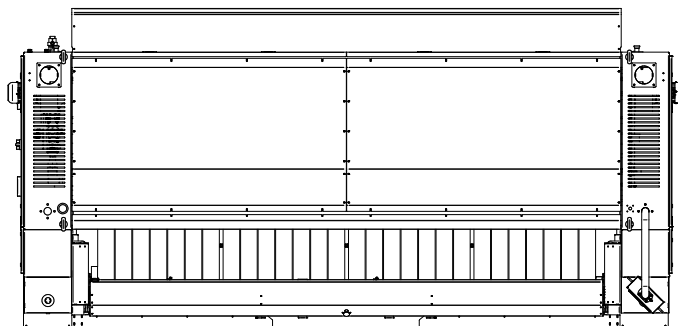
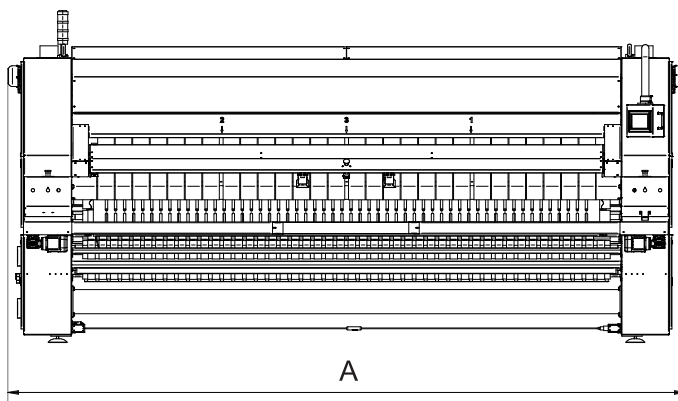
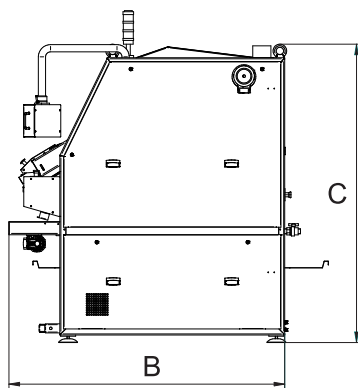
Due to our policy of ongoing improvements, all specifications are subject to change without notice.

Standard Features

- ◆ Primary Folding
- ◆ Steam/gas/electric heating
- ◆ Gas heated models for natural or propane gas
- ◆ Variable speed drive with soft starting
- ◆ Color LCD display
- ◆ 20 folding programs
- ◆ Full exhaust canopy with external blower
- ◆ Electrical and mechanical safety devices
- ◆ Return to operator

Optional Features

- ◆ Vacuum feed table
- ◆ Automatic feeder
- ◆ Rear discharge
- ◆ Small piece collector



B&C Technologies
 Panama City, Florida
 p: 850-249-2222
 f: 850-249-2226
 www.bandctech.com
 sales@bandctech.com