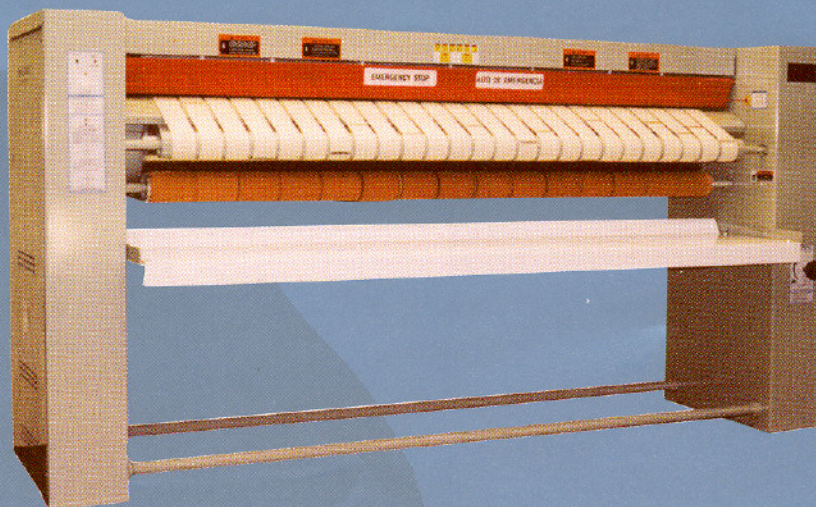




CMV SHARPER FINISH

"The Ironer People"



MID-RANGE IRONERS MODELS 1600 and 2000

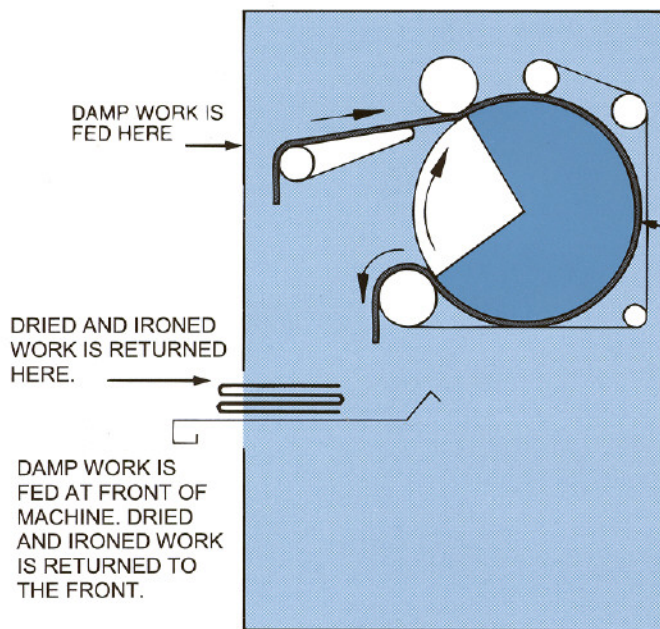
"Some of over 100 model ironers we manufacture."



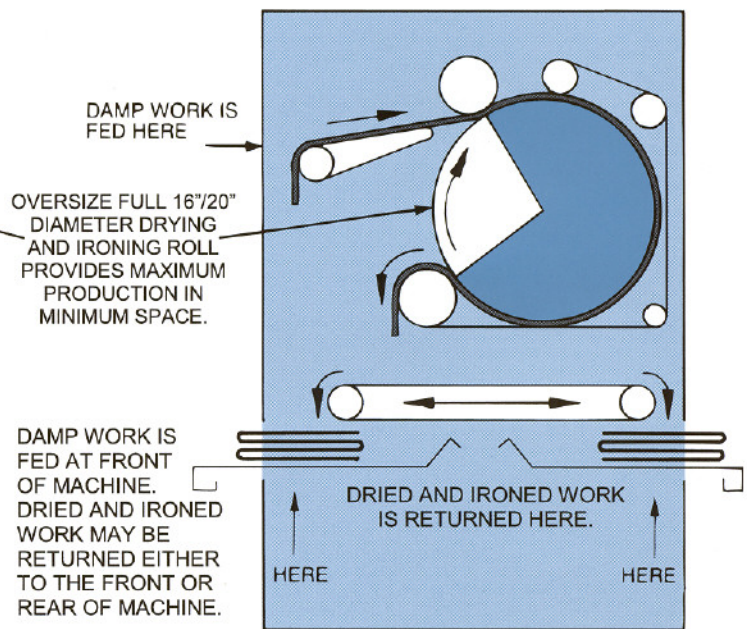
CMV Sharper Finish

The ironing process of the CMV ironer – and the results – are very similar to careful hand ironing, but considerably faster and easier. The padded pressure roll, that applies just the right amount of pressure automatically to smooth out the wrinkles, produces the exceptional ironing quality. The surface speed of the automatic feed conveyor is less than the pressure and heated rolls. The result is a gently pulling action that removes wrinkles before the linen is firmly held against the heated roll for drying. Linen to heated roll contact on the Model 2000 is over 6200 square inches (400,000 mm), offering superior drying capacity. Far more stretching and drying are done with CMV ironers than by comparable single roll and chest ironers.

“F” MODELS



“R” MODELS



INTELATROL AUTOMATIC MONITORING SYSTEM

We all need to be reminded of things from time to time. Have you ever forgotten to lock a door or turn off a light? Well, your laundry operator could forget to turn off the heat to your ironer, wasting energy and creating a hazard. They cannot forget if they have an Impress ironer equipped with the Intelatrol.

The Intelatrol will shut off the heat after twenty minutes if the machine is left unattended. A red light will indicate that the Intelatrol deactivated the system, thus saving energy, eliminating a potential hazard, and greatly increasing the life of your ironer ribbons and padding.

When the operator returns and activates a switch to reset the Intelatrol, the heating system will be activated, and when ready to operate, a green light will indicate the Impress is ready to begin ironing.

An optional Intelatrol II takes the ironer control process a step further. Once the heat system is deactivated and the Impress cools down, the Intelatrol II deactivates the drive system and the ironer stops. The optional Intelatrol II is an automatic ironer shut off system. Intelatrol is only available on CMV ironers.

PRODUCTION DATA

MODEL 1600

FRONT FEED
REAR DELIVERY
WITH 4 OPERATORS

FRONT FEED
FRONT DELIVERY
WITH 2 OPERATORS

MAXIMUM THEORETICAL CAPACITY		410 pounds per hour of finished work	
AVERAGE CAPACITY – Sheets per hour (@ 2 lbs./sheet)	180 (360)	95 (190)	
INSTITUTIONAL FLATWORK – Pounds per hour ①②	180	100	
MAXIMUM NUMBER OF HOTEL ROOMS FOR WHICH FLATWORK CAN BE PROCESSED ③			
5 days (40 hours) per week	155	65	
6 days (48 hours) per week	180	75	
7 days (56 hours) per week	215	85	
MAXIMUM NUMBER OF HOSPITAL ROOMS FOR WHICH FLATWORK CAN BE PROCESSED ③			
5 days (40 hours) per week	95	48	
6 days (48 hours) per week	110	57	
7 days (56 hours) per week	125	67	

MODEL 2000

MAXIMUM THEORETICAL CAPACITY		575 pounds per hour (260 kg) of finished work	
AVERAGE CAPACITY – Sheets per hour (@ 2 lbs./sheet)	250 (500)	100 (200)	
INSTITUTIONAL FLATWORK – Pounds per hour ①②	250	105	
MAXIMUM NUMBER OF HOTEL ROOMS FOR WHICH FLATWORK CAN BE PROCESSED ③			
5 days (40 hours) per week	195	80	
6 days (48 hours) per week	235	95	
7 days (56 hours) per week	270	110	
MAXIMUM NUMBER OF HOSPITAL ROOMS FOR WHICH FLATWORK CAN BE PROCESSED ③			
5 days (40 hours) per week	120	50	
6 days (48 hours) per week	143	58	
7 days (56 hours) per week	165	68	

① Pounds of institutional flatwork per hour is based on 65% large items such as sheets and 35% medium and small items such as tablecloths, napkins and pillowcases.

② An efficiency rate of 65% is applied to large items, such as sheets, and 35% to medium and small items such as tablecloths, napkins and pillowcases.

③ Predicated on total average linen usage of 11 lbs. per hotel/motel room per day.

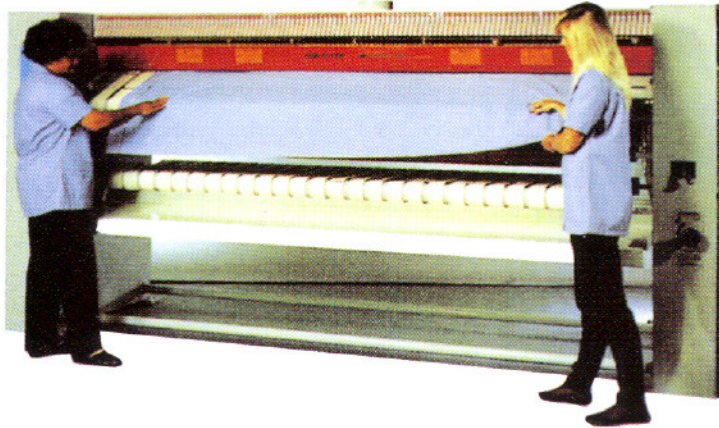
Production capacity of a well designed and manufactured flatwork ironer is governed by many factors, which in most cases are beyond the control of the machine manufacturer. Only years of experience in the manufacturing of this type of machinery and extensive actual hands on working knowledge enables CMV Sharper Finish to provide you with realistic, obtainable production data.

In preparing these production figures we have had to assume that certain conditions exist that are consistent with a well managed on premise laundry.

Our assumptions are as follows:

1. Flatwork to be processed is blended materials containing 50% synthetic and 50% natural fibers.
2. Moisture content of work to be processed will not exceed 25% and residual moisture content will not exceed 4%.
3. Estimated capabilities based on 120" ironing surface machine. Production reduced on other models.

BETTER ❖ STRONGER ❖ FASTER



MODEL 1600 & MODEL 2000

◆ Choice of 85" (2.1m), 90" (2.3m), 100" (2.5m), 110" (2.8m), 120 (3m), or 132" (3.3m) ironing width. Front delivery of ironed linen only or front/rear delivery option available. Rear delivery model is desirable for laundries with adequate floor space behind the ironer and production requirements that justify the use of operators at the rear. Rear delivery will greatly increase your ironer production.

◆ The Models 1600 & 2000 requires minimal floor space.

◆ Gas, steam, (or electricity can heat the Model 1600). The gas-heated models are equipped with a full width multi-port induced draft burner that evenly distributes the heat with a total of nine parts. Compare that to others burners using nearly fifty parts or those that heat oil and have two pumps and long piping to heat the ironer.

STANDARD FEATURES ON ALL MODELS

◆ Made by "The Ironer People". This is all we do and we do it well. You cannot find an ironer on the market that is less complicated than CMV ironers. We work hard to simplify our design so you have less to worry about. CMV ironers let you do more with less.

◆ The "mean-green machine". We use thick gauge metal with steel welded construction. This makes CMV ironers stronger than any other machine in its class, insuring a long life and maximum return on your investment. The entire machine is finished with a high grade "CMV Green" colored machine enamel.

◆ Delivers beautifully ironed linen in any material: cotton, blended polyester/cotton, or all synthetics. A snap action thermostat maintains accurate temperature.

◆ Variable drive allows the operator to adjust the speed of the ironer to compensate for various moisture levels in the linen. CMV ironer speed ranges far exceed ironers made in Europe. This difference greatly effects operator efficiency. Adequate return on your investment will be difficult with ironers that operate so slowly.

◆ Intelatrol automatic monitoring system controls your ironer to avoid wasting energy, hazardous conditions, or needless replacement of ironer parts.

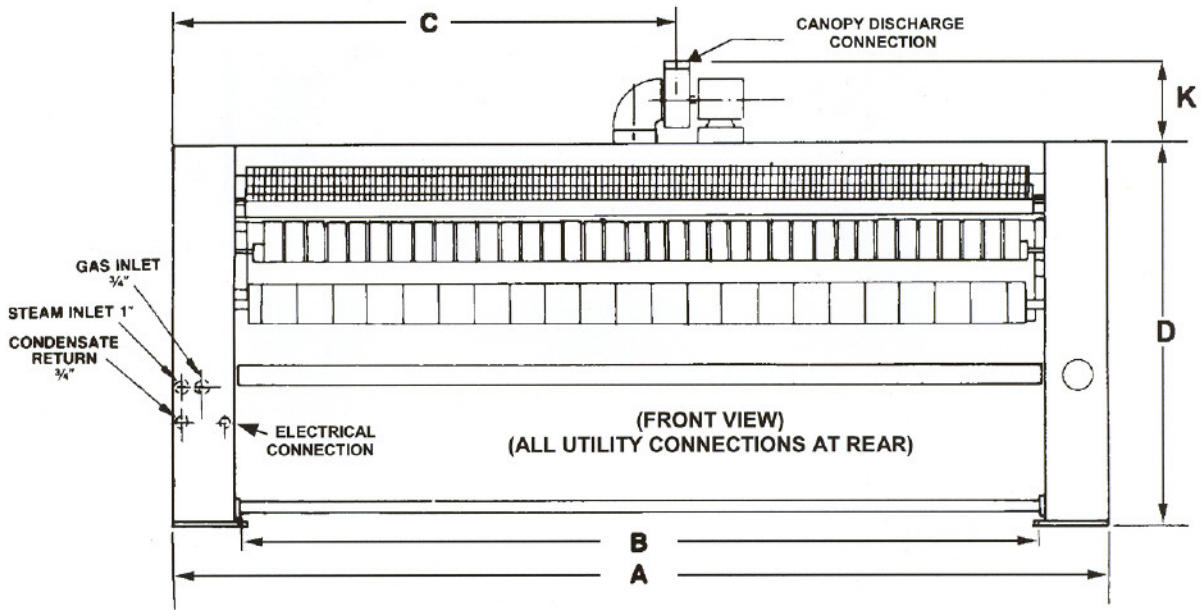
◆ Optional reversing feature allows linen to be removed in the event of a power failure.

◆ Instructional displays are located on the machine to remind operators of proper use. Each Model is provided with an instructional video demonstrating proper installation, use, and maintenance.

◆ E.T.L. approved. Safety features include front, rear, and side interlocked guards; 24V controls; full width hand guard; full width on/off switch cable; properly sized exhaust blower to vent moisture and harmful products of combustion; accurate thermostatic heat control with high temperature shutoff; high gas pressure shut-off switch; and numerous warning labels and instructions.

◆ Quality ironing. CMV ironers use special Nomex padding and ribbons with automated pressure regulation to iron, dry, and remove wrinkles.

DIMENSIONS



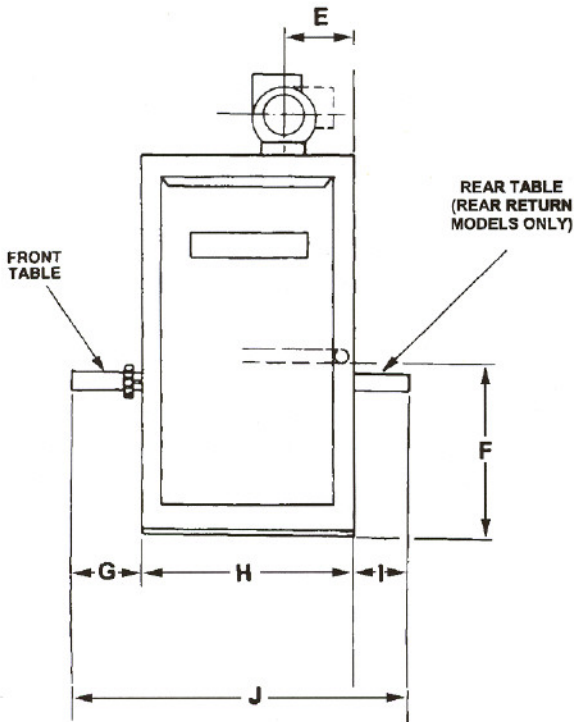
Allow minimum of 18" (457 mm) clearance at ends of machine for maintenance access. Canopy blower requires 10" diameter venting; 1050 CFM. Provide adequate make-up air according to current local requirements. Canopy vent must be independently discharged to atmosphere. Do not interconnect with other vent lines. Do not use for construction purposes unless certified correct by CMV Sharper Finish, Inc. Also available 85", 90", 100", 110", or 132".

Model 1600 Ironing Width Inches (mm)

120" (3048)

- A
- B
- C
- D
- E
- F
- G
- H
- I
- J
- K

A	154" (3112)*
B	133" (3378)*
C	89" (2261)**
D	63.25" (1607)
E	13" (330)
F	28" (711)
G	7" (178)
H	30" (762)
I	9" (229)
J	46" (1168)
K	13" (330)



Model 2000 Ironing Width Inches (mm)

120" (3048)

- A
- B
- C
- D
- E
- F
- G
- H
- I
- J
- K

A	158.5" (4026)*
B	134.5" (3416)*
C	89.75" (2280)**
D	64.75" (1645)
E	15" (381)
F	28.5" (724)
G	7" (178)
H	36" (914)
I	9" (229)
J	52" (1321)
K	13" (330)

*Add 3" (76mm) for steam models.
**Add 1.5" (38mm) for steam models.

TECHNICAL DATA

MODEL	Finishing Surface Width Inches (mm) *	Heated Roll Diameter Inches (mm)	Variable Speed Range Feet Per Minute (m/min)	Electrical Requirements Motor H.P. (kW)	Maximum Gas Input B.T.U. / hr. (CAL. Kg/h)	Electrical Requirements Heating - KW	Steam Consumption B.H.P. (Kg/h)	Net Weight Pounds (Kg)	Crated Weight Pounds (Kg)	Crated Volume Cubic Feet (Cubic m)
GF1600x120	120 (3048)	16 (406)	15 - 45 (4.6 - 13.7)	1/2 + 1 (.373 + .746)	175,000 (44,100)	—	—	2575 (1166)	2975 (1325)	312 (8.8)
GR1600x120	120 (3048)	16 (406)	15 - 45 (4.6 - 13.7)	1/2 + 1/3 + 1 (.373 + .249 + .746)	175,000 (44,100)	—	—	2755 (1248)	3155 (1429)	312 (8.8)
SF1600x120	120 (3048)	16 (406)	15 - 45 (4.6 - 13.7)	1/2 + 1 (.373 + .746)	—	—	2.0 (31.3)	2725 (1234)	3125 (1416)	318 (8.9)
SR1600x120	120 (3048)	16 (406)	15 - 45 (4.6 - 13.7)	1/2 + 1/3 + 1 (.373 + .249 + .746)	—	—	2.0 (31.3)	2905 (1316)	3305 (1497)	318 (8.9)
EF1600x120	120 (3048)	16 (406)	15 - 45 (4.6 - 13.7)	1/2 + 1 (.373 + .746)	—	49.5	—	2600 (1180)	3000 (1359)	312 (8.8)
ER1600x120	120 (3048)	16 (406)	15 - 45 (4.6 - 13.7)	1/2 + 1/3 + 1 (.373 + .249 + .746)	—	49.5	—	2870 (1259)	3180 (1441)	312 (8.8)
GF2000x120	120 (3048)	20 (508)	20 - 60 (6.1 - 18.3)	3/4 + 1 (.559 + .746)	220,000 (55,000)	—	—	2935 (1331)	3400 (1543)	353 (10)
GR2000x120	120 (3048)	20 (508)	20 - 60 (6.1 - 18.3)	3/4 + 1/3 + 1 (.559 + .249 + .746)	220,000 (55,000)	—	—	3190 (1447)	3655 (1658)	353 (10)
SF2000x120	120 (3048)	20 (508)	20 - 60 (6.1 - 18.3)	3/4 + 1 (.559 + .746)	—	—	4.25 (66)	3175 (1440)	3640 (1651)	353 (10)
SR2000x120	120 (3048)	20 (508)	20 - 60 (6.1 - 18.3)	3/4 + 1/3 + 1 (.559 + .249 + .746)	—	—	4.25 (66)	3545 (1608)	4000 (1814)	353 (10)

LEGEND: G = Gas Heated; S = Steam Heated; E = Electric Heated
F = Front Return; R = Front or Rear Return

*Also available in 85", 90", 100", 110", or 132".

E.T.L. Listed for
U.S.A. and Canada

LISTED



Designed And Built
In The U.S.A.



CMV Sharper Finish, Inc.

4500 Augusta Boulevard
Chicago, Illinois 60651 U.S.A.
Telephone: 773-276-4800
Facsimile: 773-276-6878
Email: sales@cmvsharperfinish.com
www.ironerpeople.com

Distributed by:

TOLL FREE: 800-274-IRON (4766)
(U.S.A. and Canada only)

Copyright 2004 by CMV Sharper Finish, Inc. Form No. 5076R2 Rev. 7/2004. In view of CMV's policy of providing you with the best products possible, we reserve the right to change specifications and appearance without notice. Contact the sales department for exact specifications, dimensions, and product approvals. We make over 100 different models that are sold throughout the world.